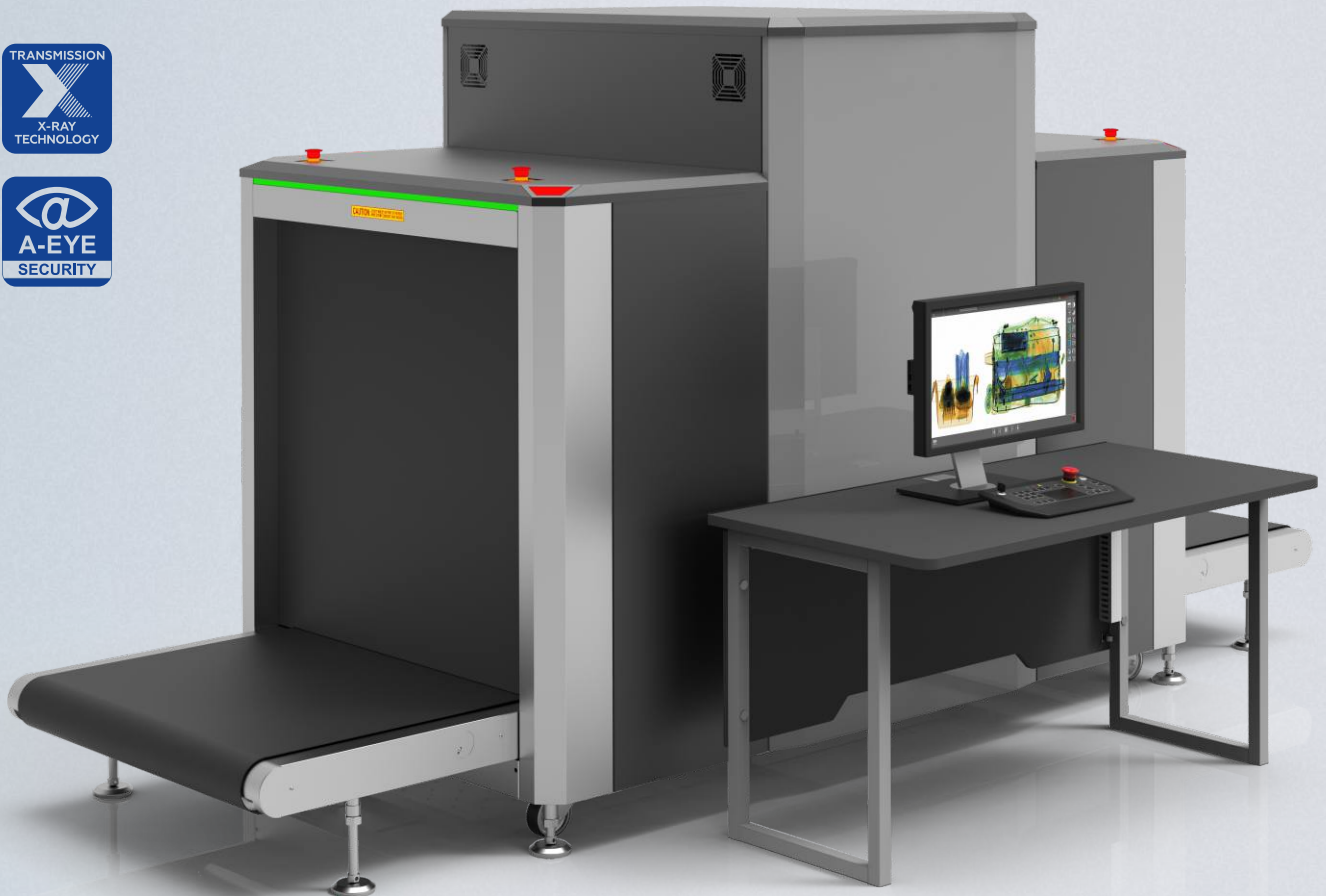




# BV 100100TB

ESPECIALLY DESIGNED FOR QUICK,  
ACCURATE AND HANDSFREE  
INSPECTION OF BAGGAGE  
AND SMALL CARGO



## KEY FEATURES

The automatic identification of suspicious objects (drugs, explosives)

Availability of 7, 3 colour and infinite colour palettes of images

The fault-tolerant configuration of the acquisition/analysis workstation

Quick start-up and shutdown

Real-time self-diagnostics

The BV 100100TB is a high-resolution, single view X-ray baggage inspection system with the ability to automatically detect prohibited objects and threats.

The tunnel with a width of 1010 mm and a height of 1010 mm is optimal for inspection of baggage, luggage, small cargo and other items. The System may be used at inspection points of critical infrastructure facilities, law enforcement and security agencies, customs, border guards, sports arenas, and other places where reliable and uninterrupted operation of inspection systems is required.

The BV 100100TB enables the identification of weapons, explosives, drugs and any other dangerous or prohibited items. Unique colour palettes and touch control provide an exceptional level of operator efficiency.

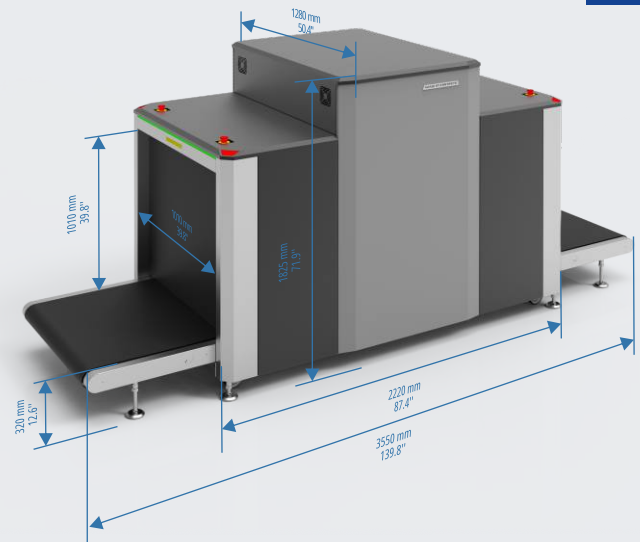
# BV 100100TB

## OPTIONS

- Additional (2nd) monitor
- Touchscreen operation functionality
- Ability to connect to a local network
- Remote operator position (up to 25 m)
- Rigid type packaging

## ACCESORIES

- Roller tables with a length that is multiples of 0.5 m.
- Operator's desk with chair
- Operator's Workstation Stand
- Test objects kit
- Ramp



## GENERAL SPECIFICATIONS

### DIMENSIONS

TUNNEL DIMENSIONS	
width	1010 mm [39.8 in]
height	1010 mm [39.8 in]
OVERALL DIMENSIONS (MAX)	
width	1280 mm [50.4 in]
height	1825 mm [71.9 in]
length	3550 mm [139.8 in]
WEIGHT (MAXIMUM)	980 kg [2161 lbs]

### CONVEYOR BELT

Maximum distributed load on the conveyor belt	200 kg [441 lbs]
Conveyor height	320 mm [12.8 in]
Conveyor speed	0.22±0.03 m/s [43.3 ft/min]

### X-RAY SOURCE

Anode voltage	160 kV
Beam direction	Diagonally downward

### X-RAY DETECTOR

Detective ability for copper wire	0.08 mm (38 AWG)
Penetration on steel	34 mm guaranteed 36 mm typical
Spatial resolution, line pairs per mm	1.5 in the direction of scanning 1.0 along the detector

### POWER SUPPLY

Line voltage	230 VAC ± 10%/120 VAC ± 5%
Line frequency	50/60 Hz
Power consumption	Max 1.0 kVA

### ENVIRONMENTAL REQUIREMENTS

Operation:	
- Ambient temperature	0 °C to +40 °C
- Maximum relative humidity	Up to 90%, non-condensing



Examples of Images with Automatic Threat Detection by the AI Software System